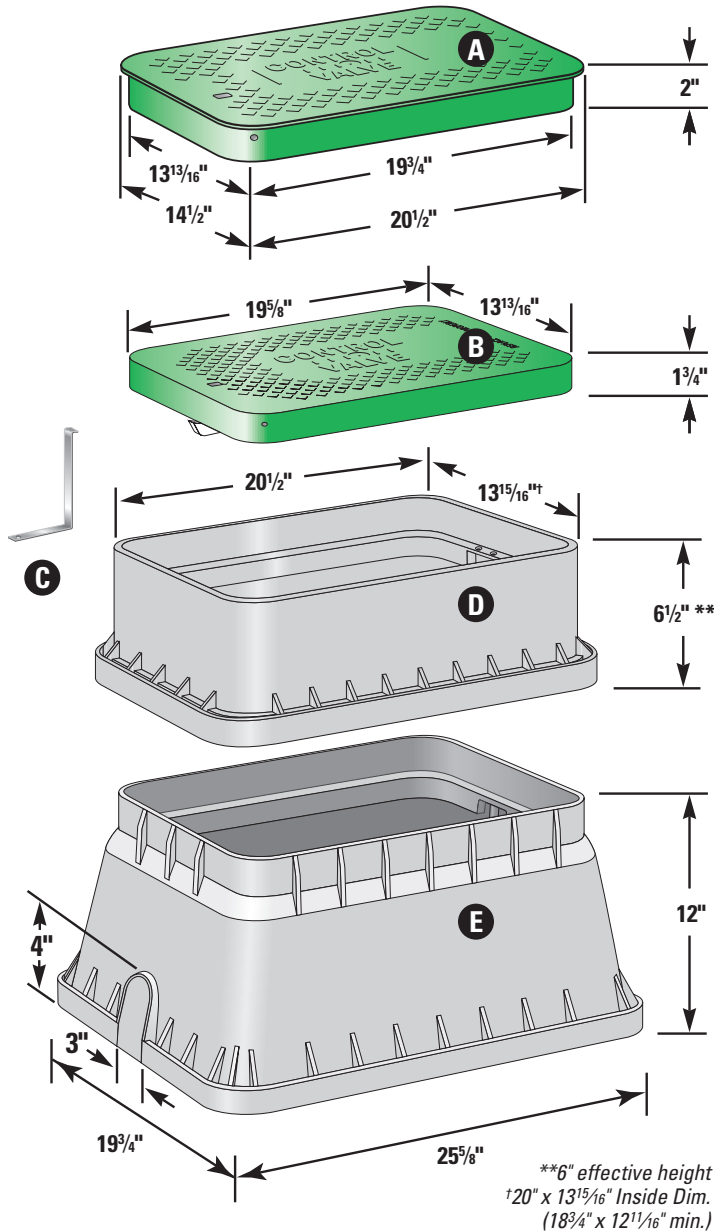


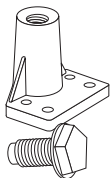


**PENTEK**  
ACCESS BOXES

**JUMBO  
IRRIGATION  
TURF BOXES**



- SUPERFLEXON material
  - Stronger than structural foam, greater top-load strength
  - More UV and wear resistant than structural foam
  - 10 Year Lid Guarantee
- Lighter than cast iron or concrete boxes
  - Easier warehouse handling
  - Reduced injury potential
- Snap locks on drop-in lid
  - Discourage vandalism
  - Keep lid in place in high water
- Lids are easily interchangeable
- Lids available in green, brown mulch and brick red
- Boxes available in black



Optional Pentagon Lock  
(Needs Pentagon Lid)

- (A) T-Top Lid (No Locks)
- (B) Drop-in Lid (w/Snap Locks)
- (C) Optional Snap Lock Tool
- (D) 6" Extension
- (E) Jumbo Box

"You're Covered!"



PENTEK  
ACCESS BOXES

# JUMBO IRRIGATION TURF BOXES

DESCRIPTION	PART #	DESCRIPTION	PART #
<b>JUMBO 12" BOX ASSEMBLIES</b>		<b>EXTENSIONS</b>	
<b>Control Valve</b>		6" Black	190110
Black Box, Green Lid w/Snap Lock	190106	<b>ACCESSORIES</b>	
Black Box, Brown Mulch Lid w/Snap Lock	190125	Lexan Bolt-Pentagon Lock	143003
<b>JUMBO 6" BOX ASSEMBLIES</b>		Lexan Locking Nut-Pentagon Lock	143013
<b>Control Valve</b>		8" Hinge Pin (to go with #172002 & 172114)	144004
Black 6" Box, Green Lid w/Snap Lock	190115	Snap Lock Set, 1 Snap, 1 Pin	144017
Black 6" Flared Box, Green Lid w/Snap Lock	170130	Snap Lock Unlocking Tool	144022
Black 6" Flared Box, Green T-Top Lid, No Lock	174519	Reflector Washer, 1.75"OD x 3/16"ID ZPS	143020
<b>BOXES ONLY</b>		Screw for Locator Washer	143004
Black (Closed Mouse Holes)	190101		
Black (MB2 - Open Mouse Holes)	190156		
<b>LIDS ONLY</b>			
<b>Control Valve</b>			
Green w/Snap Lock	192101		
Brown Mulch w/Snap Lock	192112		
Brick Red w/Snap Lock	192113		
Green T-Top (Drilled for Snap Locks)	194006		

## SUPERFLEXON BOXES AND COVERS

SUPERFLEXON is a plastic material made of a rigid combination of polyolefin and fibrous inorganic components. It is chemically inert and normally unaffected by moisture, corrosion and the effects of temperature changes. SUPERFLEXON also has a high tensile strength with light weight because it is a solid (not foamed) structural material.

SUPERFLEXON covers are NOT traffic covers and should not be used in roadways, etc.

Physical Properties	ASTM Test Method	Minimum Test Value
Tensile Strength (2.0"/min.)	D-638-82a	3,400 psi
Flexural Modulus	D-790-81	191,000 psi
Compressive Strength (0.05"/min.)	D-695-80	3,350 psi
Impact Strength, Izod	D-256-81	0.6 ft. lb/in.
Durometer Hardness, Type D	D-2240-81	60
Deflection Temp. @ 66 psi Stress	D-648-82	230°F
Specific Gravity	D-792-66 (1979)	1.15



502 Indiana Avenue, Sheboygan, WI 53081, USA  
 Phone: 800.348.7558 • Fax: 888.246.0085 • International Phone: 920.451.9469  
 E-mail: support@pentekaccessboxes.com • www.pentekaccessboxes.com